

DESIGN DATA

CAPACITY: 275 GALLON

TYPE: ABOVE GROUND VERT

OPER PRESS: ATMOSPHERIC

TANK MAT'L: MILD CARBON STEEL

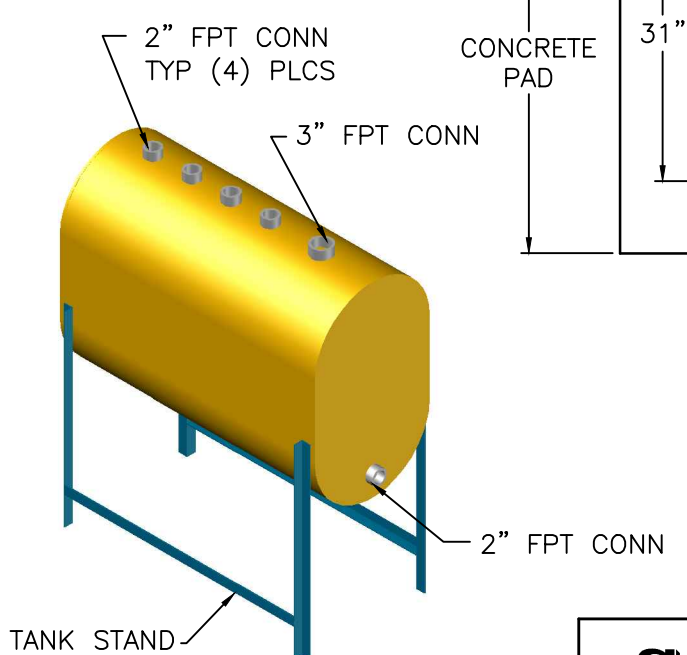
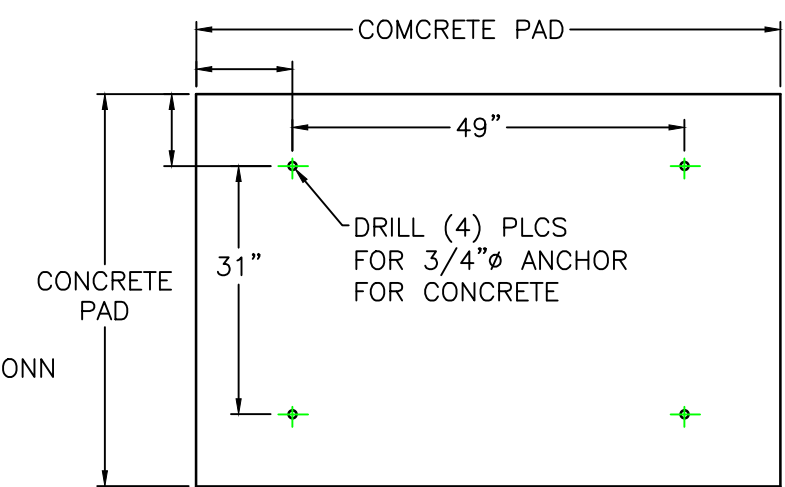
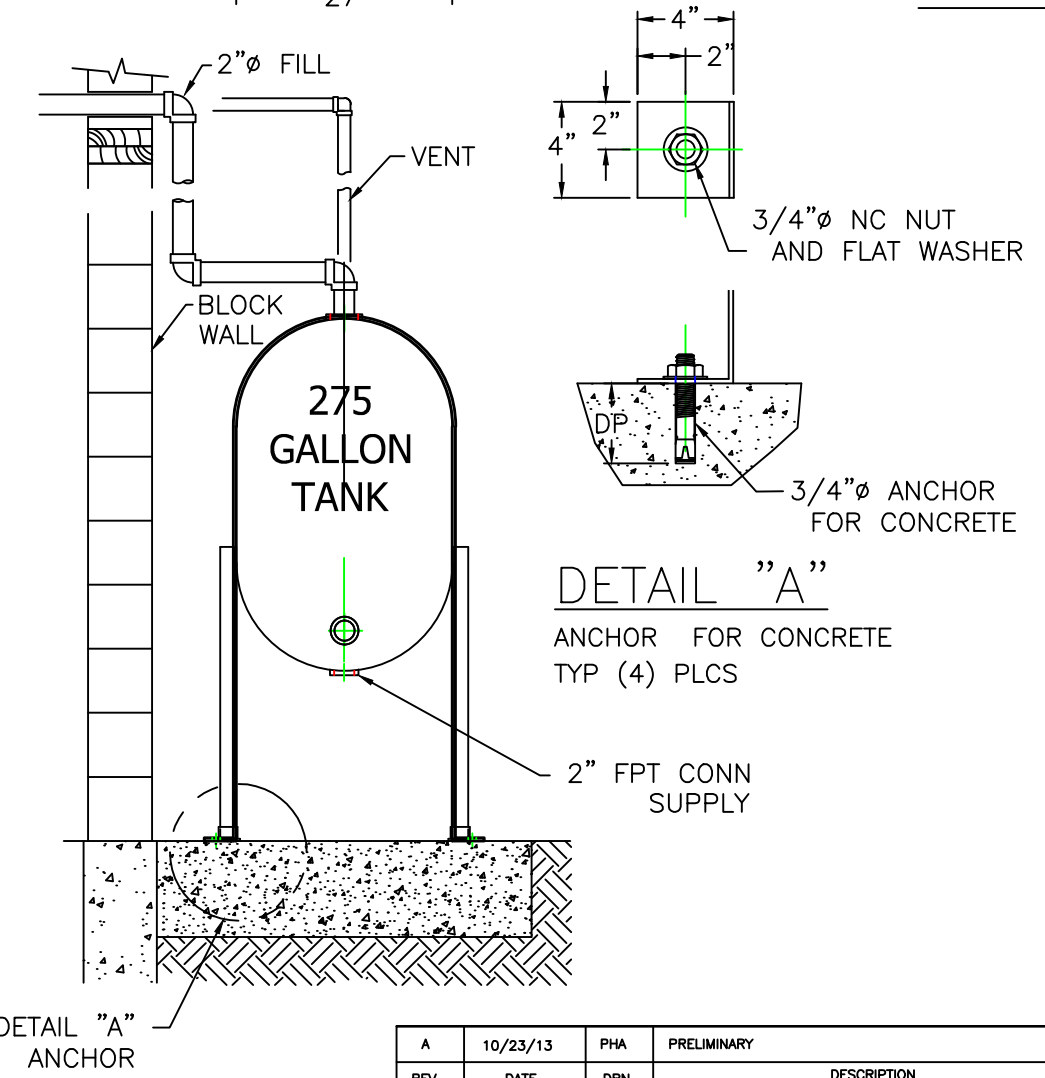
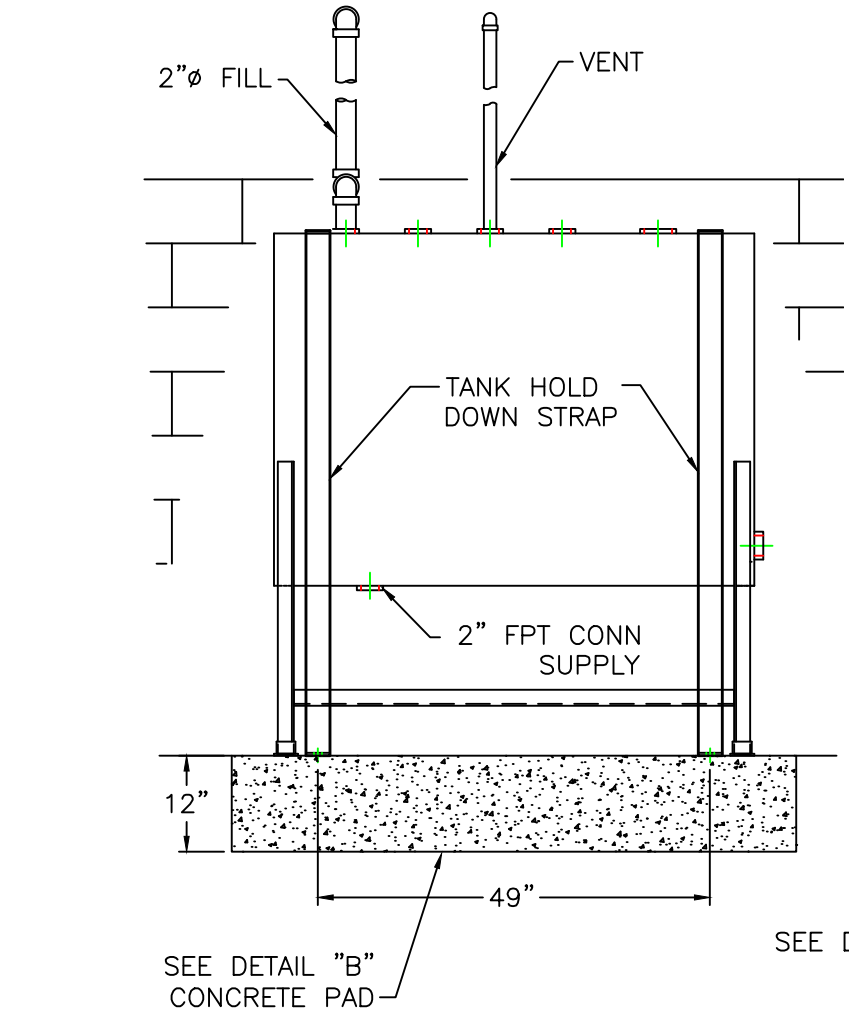
THICKNESS: PRIMARY TANK - 12 GA THK

CONSTR: LAP WELDED TO U.L. 142 STD FLAT FLANGED HEADS

TANK TEST: PRIMARY TK - 6 PSI SOAP TEST

FINISH: SHOP PRIMER

LABEL: UL 142



REV	DATE	DRN	DESCRIPTION	CHK	APPR
A	10/23/13	PHA	PRELIMINARY		

THIS DRAWING IS THE EXCLUSIVE PROPERTY OF SPECIALTY TANK AND WELDING CO., INC. INCLUDING ALL PATENTED AND PATENTABLE FEATURES AND/OR CONFIDENTIAL INFORMATION. ITS USE IS CONDITIONED UPON THE USER'S AGREEMENT NOT TO REPRODUCE THE DRAWING IN WHOLE OR IN PART, NOR THE MATERIAL DESCRIBED THEREON, NOR TO USE THE DRAWING FOR ANY PURPOSE OTHER THAN AS SPECIFICALLY PERMITTED, IN WRITING, BY SPECIALTY TANK AND WELDING CO., INC..

"Tanks Made To Order"

P.O. Box L-103
Langhorne, PA 19047
215-949-2939
FAX 215-949-9699

Specialty Tank and Welding Co., Inc.

PRODUCT: 275 GALLON VERTICAL TANK WITH STAND & HOLD DOWN

CUSTOMER: .

SCALE: AS NOTED DATE: 10/23/13 DRN BY: PHA 275 GAL SW VERT TANK ARR'GT A