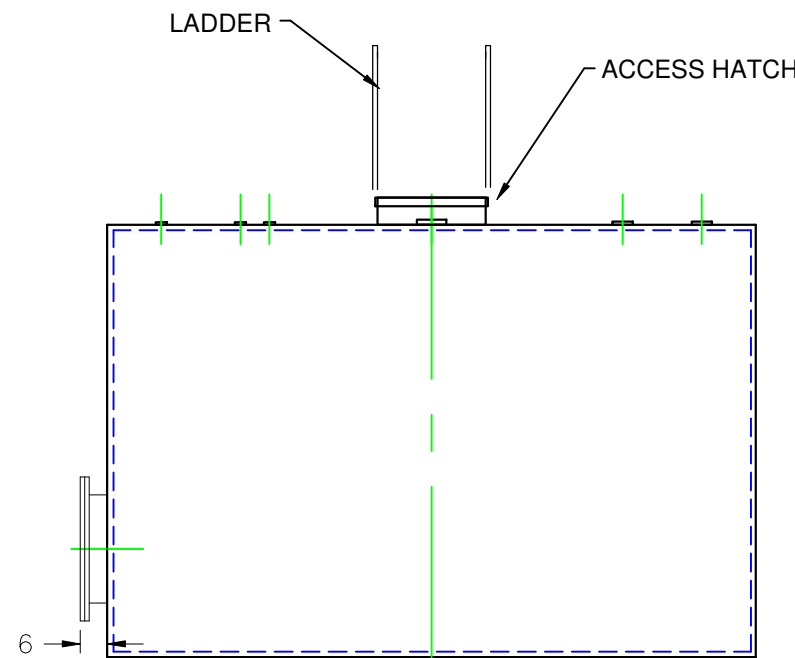
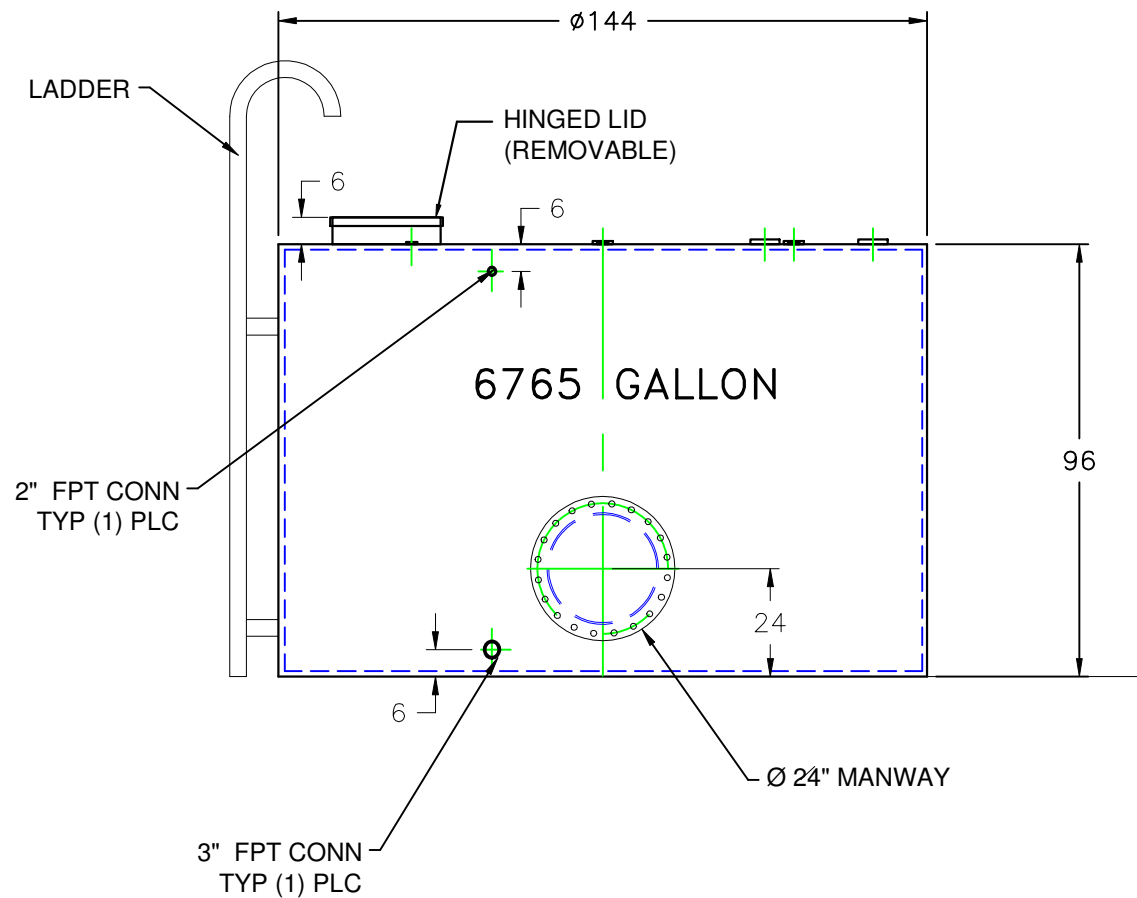


DESIGN DATA

CAPACITY: 6365 GALLONS
 TYPE: ABOVE GROUND – SINGLE WALL
 OPER PRESS: ATMOSPHERIC
 TANK MAT'L: MILD CARBON STEEL
 THICKNESS: PERIMARY TANK – 1/4"
 CONSTR: PRIMARY TANK – BUTT WELD
 TANK TEST: PRIMARY TANK – 2 1/2 PSI SOAP TEST
 FINISH: PRIMARY TK – SHOP PRIMER OUTSIDE
 HIPPO EPOXY INSIDE
 LABEL: UL 142



Specialty Tank and Welding Co. Inc.

"Tanks Made To Order"

PRODUCT: 6765 GALLON TANK

CUSTOMER:

SCALE: 3/8" = 1'-0" DATE: 3/21/2016 DRN BY: PHA TANK 144 x 96 B

REV	DATE	DRN	DESCRIPTION	CHK	APPR
B	3-28-2016	PHA	PRELIMINARY, ADDED 24" MANWAY		
A	3-21-2016	PHA	PRELIMINARY		

THIS DRAWING IS THE EXCLUSIVE PROPERTY OF SPECIALTY TANK AND WELDING CO. INC. INCLUDING ALL PATENTED AND PATENTABLE FEATURES AND/OR CONFIDENTIAL INFORMATION. ITS USE IS CONDITIONED UPON THE USER'S AGREEMENT NOT TO REPRODUCE THE DRAWING IN WHOLE OR IN PART, NOR THE MATERIAL DESCRIBED THEREON, NOR TO USE THE DRAWING FOR ANY PURPOSE OTHER THAN AS SPECIFICALLY PERMITTED, IN WRITING, BY SPECIALTY TANK AND WELDING CO. INC.

P.O. Box L-103
 Langhorne, PA 19047
 215-949-2939
 FAX 215-949-9699